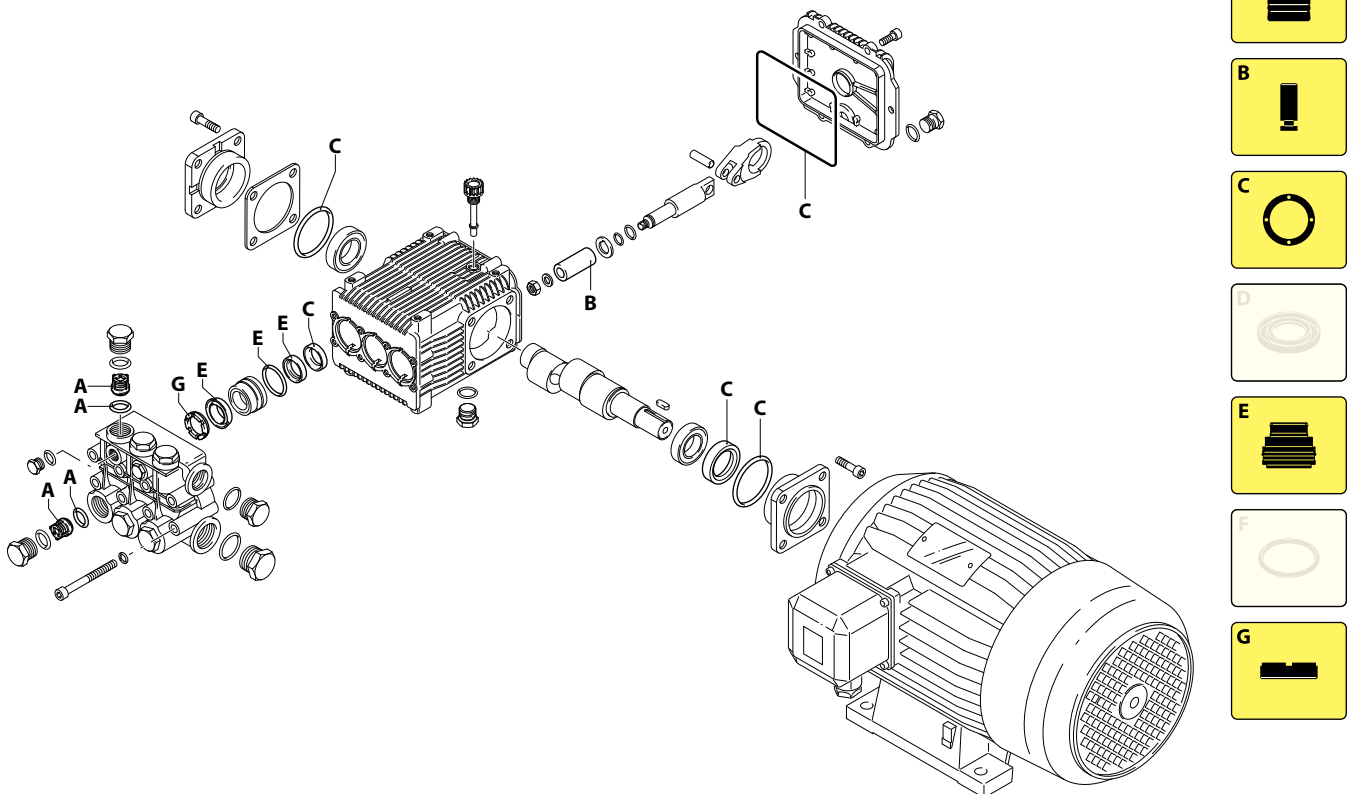


UN002398-AS

PART KITS / 配套零件



UN002399-AS

228 Series

HRK 1450 rpm

13.20 H 14.16 15.11 15.15 15.20 H 15.25 H
18.12 18.16 H 21.10 21.15 H 21.20 H



| Pos. 序号 | Cod. 编号 | Description | 描述 | Qt 数量 | Note 备注 | Pos. 序号 | Cod. 编号 | Description | 描述 | Qt 数量 | Note 备注 | |
|---------|---------|----------------|-------------------|-------|-----------------|---------|--------------|---------------|---------------|-------------------|-----------------|---|
| 1 | 960160 | O-ring | Ø 17,86x2,62 | 6 | | 35 | 1789010 | Cover | completo | 1 | | |
| 2 | 960090 | Plug | | 6 | RK C=54Nm | 36 | 1343510 | Screw | TCEI M6x14 | 6 | C=10Nm | |
| | 960850 | Plug | | 6 | RK H C=54Nm | 37 | 2280080 | Shaft | marcato 3 | 1 | □ | |
| | 1380740 | Plug | | 6 | RK H C=54Nm | | 2280070 | Shaft | marcato 2 | 1 | ●★ | |
| 3 | 1389051 | Complete valve | | 6 | | 2280060 | Shaft | marcato 1 | 1 | ■☆ | | |
| 4 | 880830 | O-ring | Ø 15,54x2,62 | 6 | | 38 | 1380520 | Key | | 1 | | |
| 5 | 880581 | Plug | 1/4" G | 2 | RK C=15Nm | 39 | 180340 | Ring | tenuta | 1 | (a) | |
| | 1380690 | Plug | 1/4" G nickel | 2 | RK H - H C=15Nm | 1380120 | Shim 0.10 mm | | 垫片 0.10 mm | 1÷3 | | |
| 6 | 820510 | O-ring | Ø 10,82x1,78 | 2 | | 1380130 | Shim 0.20 mm | | 垫片 0.20 mm | 1÷3 | | |
| 11 | 960110 | Ring | appoggio Ø18 | 3 | □●■ | 40 | 1380530 | Shim 0.25 mm | | 垫片 0.25 mm | 1÷3 | |
| | 840300 | Ring | appoggio Ø20 | 3 | ☆ | | 1382810 | Shim 0.05 mm | | 垫片 0.05 mm | 1÷3 | |
| | 840320 | Ring | appoggio Ø22 | 3 | ★ | | 41 | 1380040 | Support | cuscinetto aperto | 1 | |
| 12 | 1382740 | Water seal | Ø 18 | 3 | □●■ | 42 | 740290 | O-ring | Ø 14x1,78 | 3 | ⊕ | |
| | 840290 | Water seal | Ø 20 | 3 | ☆ | 43 | 1980740 | Plug | 3/8" G ottone | 2 | ⊕ | |
| | 840330 | Water seal | Ø 22 | 3 | ★ | 46 | 1980740 | Plug | 3/8" G ottone | 1 | RK C=25Nm | |
| 13 | 1380090 | Piston guide | Ø 18 | 3 | □●■ | 47 | 1981180 | Plug | 3/8" G nickel | 1 | RK H - H C=25Nm | |
| | 1380150 | Piston guide | Ø 20 | 3 | ☆ | 48 | 180101 | O-ring | Ø 17,5x2 | 1 | | |
| | 1380160 | Piston guide | Ø 22 | 3 | ★ | 48 | 820361 | Plug | 1/2" G ottone | 1 | RK C=40Nm | |
| 14 | 961240 | O-ring | Ø 31,47x1,78 | 3 | | 49 | 960870 | Plug | 1/2" G nickel | 1 | RK H - H C=40Nm | |
| 15 | 880330 | Water seal | Ø 18 | 3 | □●■ | 49 | 1381071 | Head | | 1 | Ø18 RK | |
| | 840280 | Water seal | Ø 20 | 3 | ☆ | | 1381070 | Head | nikelata | 1 | Ø18 RK H - H | |
| | 840340 | Water seal | Ø 22 | 3 | ★ | | 1380020 | Head | | 1 | Ø20-22 RK | |
| 16 | 1383130 | Ring | tenuta | 3 | | 1380680 | Head | nikelata | 1 | Ø20-22 RK H | | |
| 17 | 850370 | Screw | TCEI M8x16 | 8 | C=24,5Nm | 50 | 820150 | Screw | TCEI M8x70 | 8 | C=24,5Nm | |
| 18 | 1380050 | Support | cuscinetto chiuso | 1 | | 77 | 1383140 | Bearing | | 1 | | |
| 19 | 640030 | O-ring | Ø 59,99x2,62 | 2 | | 78 | 1389270 | Head assembly | | 1 | Ø18 RK | |
| 20 | 2280340 | Bearing | | 1 | | | 1389272 | Head assembly | | 1 | Ø18 RK H | |
| 21 | 1382770 | Pump body | | 1 | | | 1389271 | Head assembly | | 1 | Ø18 RK H | |
| 22 | 880130 | Plug | | 1 | | | 1389208 | Head assembly | | 1 | Ø20 RK | |
| 23 | 962010 | Nut | | 3 | ● C=20Nm | | 1389212 | Head assembly | | 1 | Ø20 RK H | |
| 24 | 962000 | Washer | | 3 | | | 1389216 | Head assembly | | 1 | Ø22 RK | |
| 25 | 1380940 | Piston | Ø 18 | 3 | □●■ | | 1389220 | Head assembly | | 1 | Ø22 RK H | |
| | 1380930 | Piston | Ø 20 | 3 | ☆ | | 86 | 1260250 | Level gauge | | 1 | ⊕ |
| | 1382360 | Piston | Ø 22 | 3 | ★ | | 87 | 1260430 | Ring | | 1 | ⊕ |
| 26 | 1380950 | Plate | | 3 | | | 88 | 1780690 | Plate | | 1 | ⊕ |
| 27 | 600180 | O-ring | Ø 7,66x1,78 | 3 | | 89 | 1140450 | O-ring | Ø 20,24x2,62 | 1 | ⊕ | |
| 28 | 1380920 | Piston | di guida | 3 | | 90 | 4896 | Motor | | 1 | 3 kw | |
| 29 | 1380060 | Pin | | 3 | | | 4393 | Motor | | 1 | 4 kw | |
| 30 | 1383050 | Connecting-rod | alluminio | 3 | | | 4124 | Motor | | 1 | 5,5 kw | |
| | 1383020 | Connecting-rod | bronzo | 3 | | | 4933 | Motor | | 1 | 7,5 kw | |
| 31 | 1080401 | Ring | antiestrusione | 3 | | | | | | | | |
| 32 | 1381850 | Washer | | 8 | | | | | | | | |
| 34 | 1780510 | O-ring | Ø 106x3 | 1 | | | | | | | | |

⊕ Part of part n° 1789010 / 配件号是1789010

PART KITS - 配套零件

| A=KIT 2864 valves 单向阀 | | pistons 柱塞 | | B=KIT 2757 Ø 18 B=KIT 2758 Ø 20 B=KIT 2759 Ø 22 | | C=KIT 1855 oil seals 油封 | |
|-----------------------|---------|------------|---------|---|---------|-------------------------|---------|
| Pos. 序号 | Q.ty 数量 | Pos. 序号 | Q.ty 数量 | Pos. 序号 | Q.ty 数量 | Pos. 序号 | Q.ty 数量 |
| 3 | 6 | 25 | 3 | 16 | 3 | | |
| 4 | 6 | | | 19 | 2 | | |
| | | | | 34 | 1 | | |
| | | | | 38 | 1 | | |

| water seals 水封 | | E=KIT 1857 Ø 18 E=KIT 1887 Ø 20 E=KIT 1888 Ø 22 | | support rings 支撑环 | | G=KIT 1829 Ø 18 G=KIT 1815 Ø 20 G=KIT 1816 Ø 22 | |
|----------------|---------|---|---------|-------------------|---------|---|---------|
| Pos. 序号 | Q.ty 数量 | Pos. 序号 | Q.ty 数量 | Pos. 序号 | Q.ty 数量 | Pos. 序号 | Q.ty 数量 |
| 12 | 3 | | | 11 | 3 | | |
| 14 | 3 | | | | | | |
| 15 | 3 | | | | | | |

SIMBOLOGIA - 标记

| | | | |
|-----------------------|--|--------------------------------|---|
| □ For / 用于 RK 13.20 H | ■ For / 用于 RK 15.11 RK 15.15 RK 15.20 H RK 15.25 H | ☆ For / 用于 RK 18.12 RK 18.16 H | ★ For / 用于 RK 21.10 RK 21.15 H RK 21.20 H |
| ● For / 用于 RK 14.16 | | | |

C Tightening torque tolerance 0÷10% / 拧紧力矩公差 0÷10%
 ● Screw with Loxeal 55-14 / 用 Loxeal 55-14 螺丝
 (a) Fit the seal with tool code nr. 2281010 / 用 nr. 2281010 工具进行密封
 ⊕ OVER 3600 psi / 3600 psi 以上

| Oil - 机油 | |
|-----------|---------------|
| Type / 类型 | Quantity / 数量 |
| SAE 15W40 | 0,435 Kg |